

1. Technical description.

The **LB4/4x2A/2.5/FTA** fuse module is designed for power distribution in low-voltage systems requiring voltage of **10V÷30V DC**. It is fitted with the IN input for power supply and 4 AUX1÷AUX4 power supply outputs independently protected with 2A fuses. Fuse activation is indicated by switching off the appropriate LED: L1 for AUX1, L2 for AUX2 etc. Additionally, each output is protected with a varistor protecting the power supply and receivers against surges in the supply system. The module is adapted for connection of wires with a maximum cross-section of **2,5mm²**.

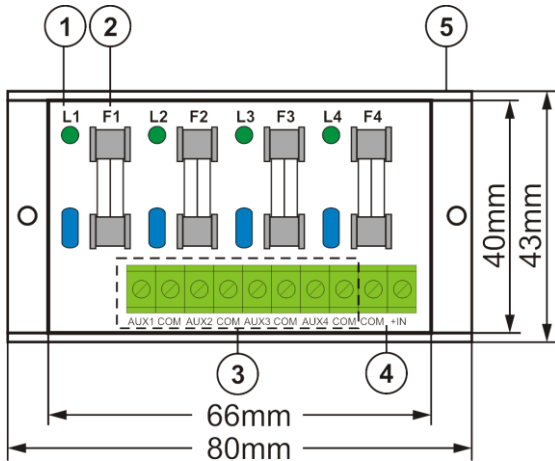


Fig.1. The view of the module

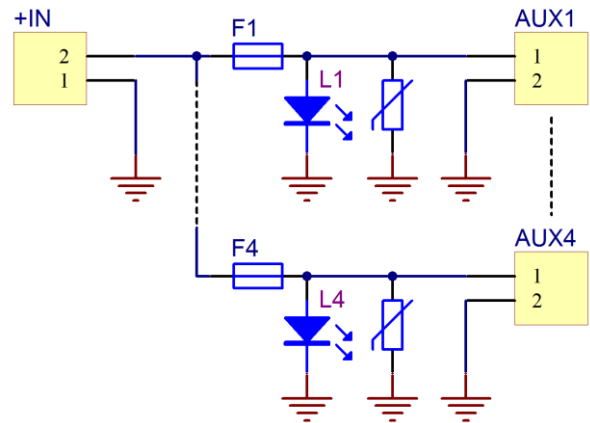


Fig.2. Electrical diagram

Table 1. Description of components and connectors of the PSU.

Element no. [fig. 1]	Description
[1]	L1 ÷ L4 green LEDs
[2]	F1 ÷ F4 fuses in the AUX (+) circuits
[3]	AUX1 ÷ AUX4 independently secured outputs, common terminal COM (-)
[4]	IN, COM – module's power input
[5]	Mounting strip

Table 2. Specifications.

Supply voltage	10V÷ 30V DC
Output voltage	$U_{AUX} = U_{IN}$ (equal to supply voltage)
Current consumption	5 mA÷ 30 mA @ $U_{IN} = 10V \div 30V$ DC
Number of power inputs	1 (IN terminals) max. 2,5mm² cable
Number of power outputs	4 (AUX terminals) max. 2,5mm² cable
Protections against:	<ul style="list-style-type: none"> - a short circuit SCP - an overload OLP - a surge
LED indication	Green LEDs L1 ÷ L4 – outputs status AUX1÷AUX4
F1 ÷ F4 fuses	4 x F2A
Operating conditions	II environmental class, -10°C ÷ +50°C
Dimensions	L=80, W=43, H=27 (+/-2mm)
Fixing	A mounting panel with an adhesive tape, mounting screws x2 (holes Ø 3mm)
Connectors:	
- power supply input/output	Ø0,51÷2,05 (AWG 24-12), 0,5 ÷ 2,5mm ²
Declarations, warranty	CE, 2 year from the production date
Net/gross weight	0,05kg / 0,07kg

WEEE MARKING

According to the EU WEE Directive – It is required not to dispose of electric or electronic waste as unsorted municipal waste and to collect such WEEE separately.

Pulsar

Siedlec 150, 32-744 Łapczyca, Polska
Tel. (+48) 14-610-19-40, Fax. (+48) 14-610-19-50
e-mail: biuro@pulsar.pl, sales@pulsar.pl
http:// www.pulsar.pl, www.zasilacze.pl